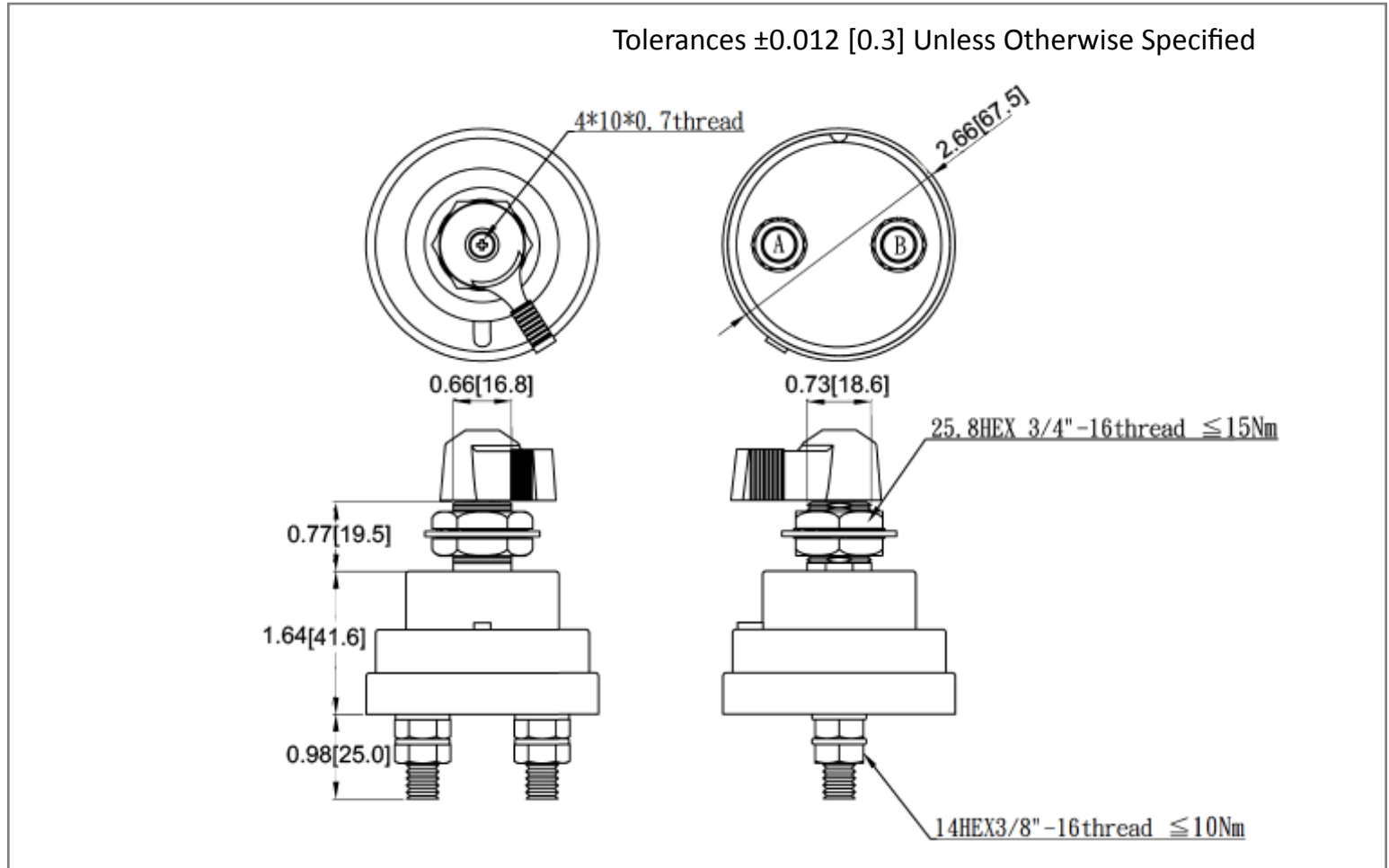
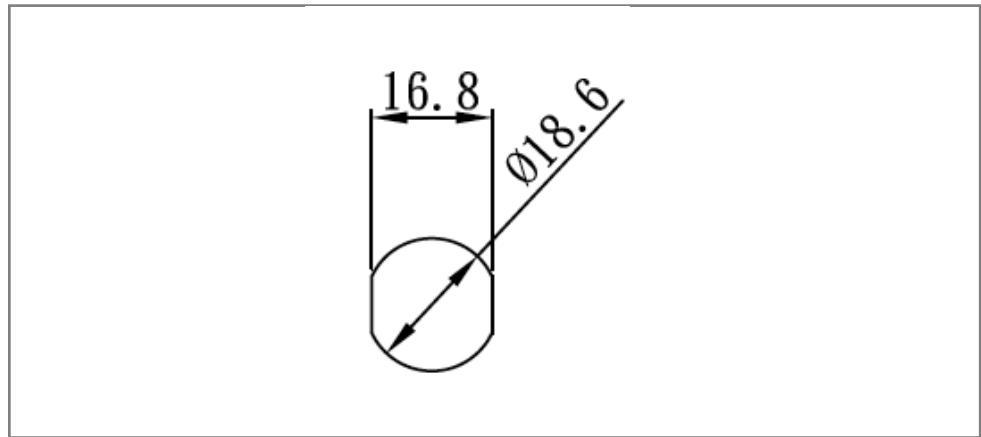


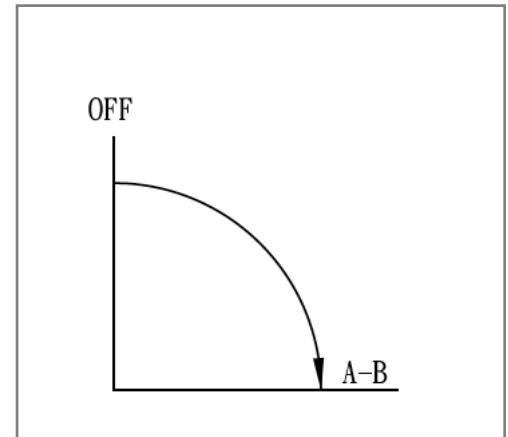
Mechanical Dimensions: Inches [mm]



Mounting Hole



Circuit Diagram



Electrical Specifications

Operating Temperature Rang	From -40 deg. C to 85 deg. C	Operating voltage range	6~36VDC
Minimum Insultaion Resistance	100M ohms/ 500V	Duty Rating Continuous	24V 180Amps
Di-Electric Withstanding Voltage	1000V I 1 min.		
Max. Contact Drop at Max. load	150mV at rated load		
Intermittent Rating	1,000Amps in rush		

Rev	Date of issue	Revision Notes	Designed	Approved
B	03-04-2020	Initial Drawing	RC	OF